

Level 10

Studio G&R
2010



6mm mirror made of two superimposed bevelled mirrors. Upper mirror with bevelled edge 35mm.

Dimensioni / size

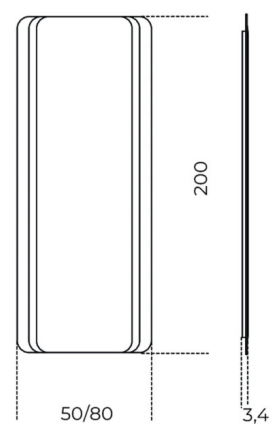
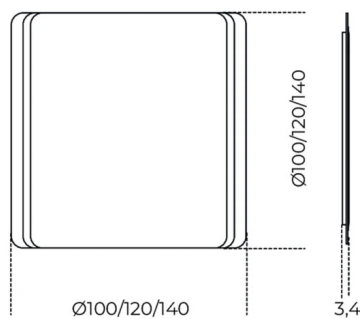
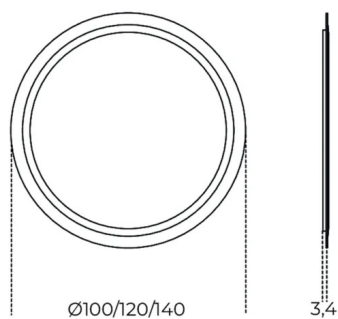
Cm (Ø x H)

100 x 0
120 x 0
140 x 0
0 x 100
0 x 120
0 x 140
0 x 200
0 x 200

Dimensioni / size

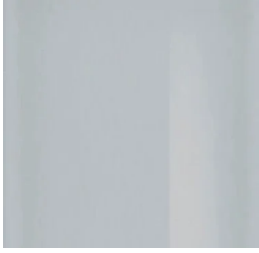
Inches (Ø x H)

39½ x 0
47¼ x 0
55¼ x 0
0 x 39½
0 x 47¼
0 x 55¼
0 x 78¾
0 x 78¾



Finishes

Glass



Mirror